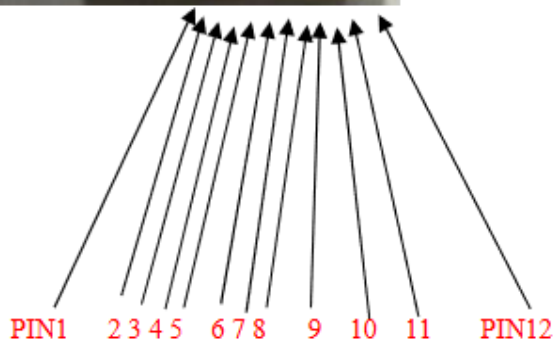
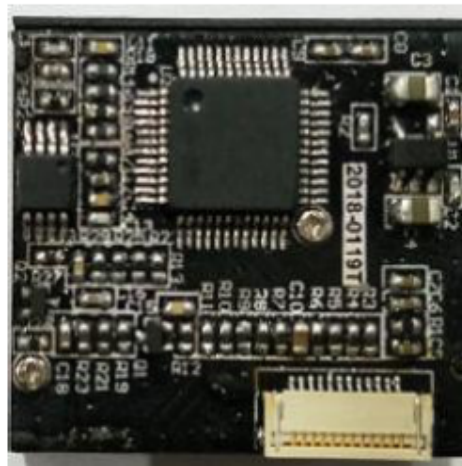


CB-01 – Leitor Scanner CCD long range de imagem

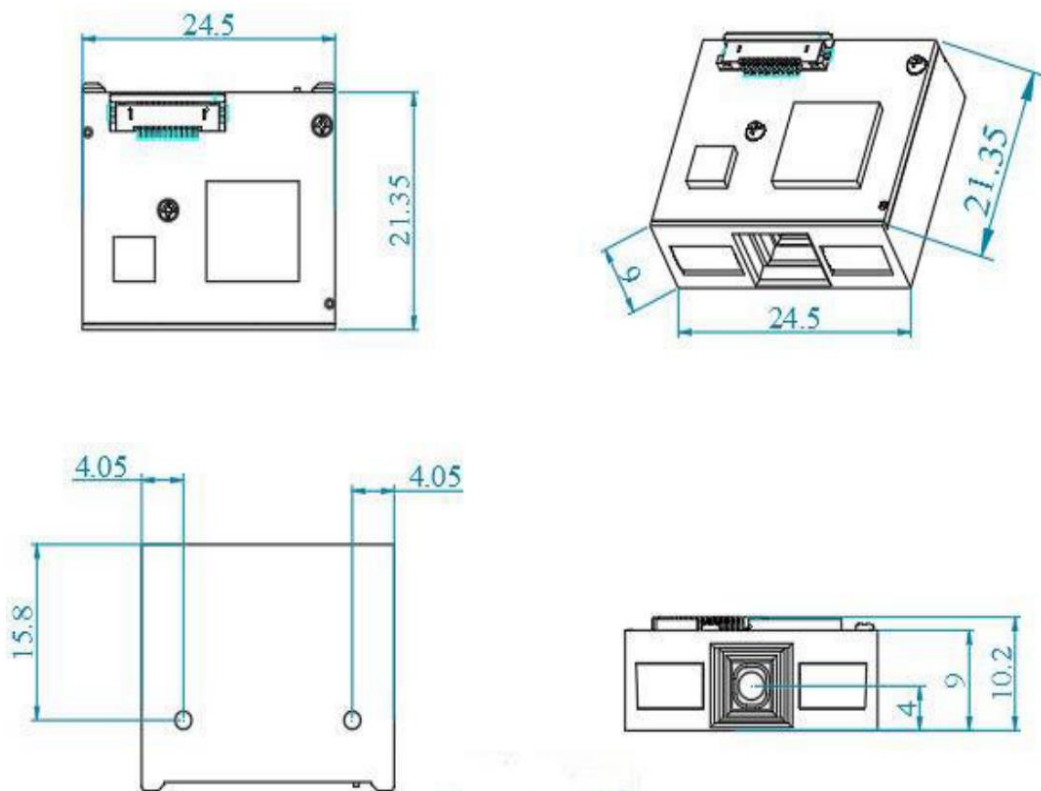
1 - Pinagem para operação RS-232 TTL ou USB



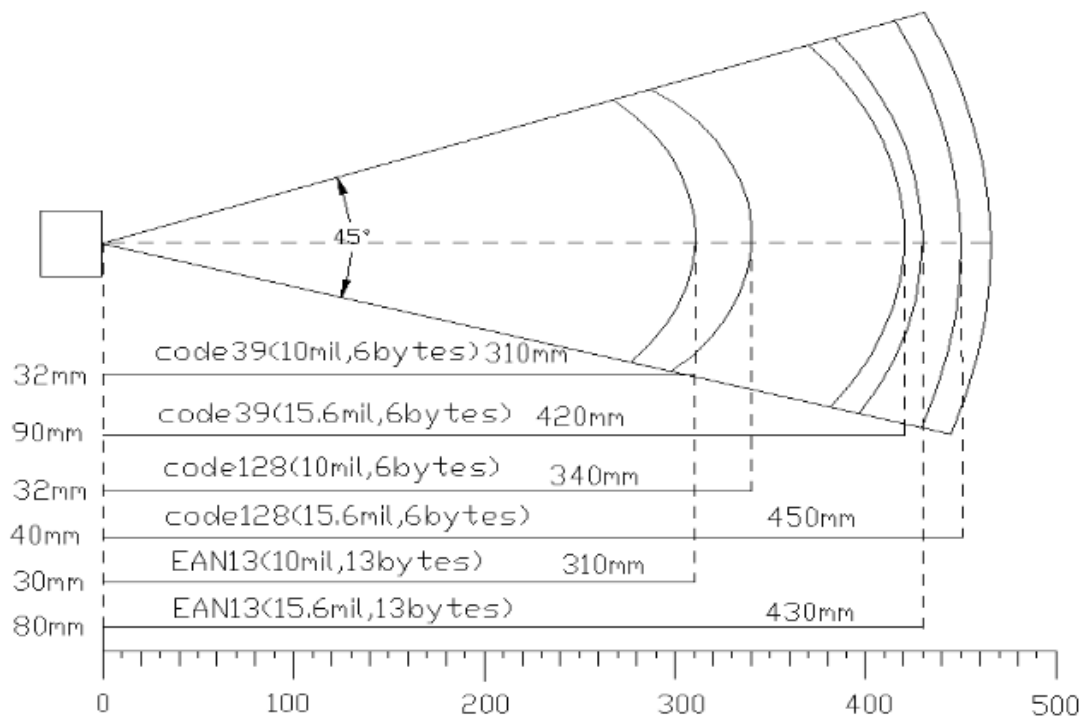
Signal Definition:

PIN	Input/Output	Definition	Illustration
PIN 1	NC(no link)	FLASHDWN	Download mode(low electric level)
PIN 2	Electric source	VCC	Working voltage+3.3V
PIN 3	Ground electrode	GND	Ground electrode
PIN 4	Input	RXD	TTL (receive signal)
PIN 5	Output	TXD	TTL (receive signal)
PIN 6	Input	D-	USB Interface(signal-D)
PIN 7	Input	D+	USB Interface(signal-D)
PIN 8	Output	FOUS	Outside sensing control(low electric level)
PIN 9	Output	BEEP	Buzzer signal output(low electric level)
PIN10	Output	LED	Decoding(high electric level)
PIN11	NC(no link)	WAKE	Engine awaken with pulling up(low electric level)
PIN12	Input	TRIG	Decoding with pulling up(low electric level)

2 – Dimensões _



3 – Características do campo focal _



4 – Especificações técnicas _

Light source: 620nm Visible red light diode

Sensor: CCD

Resolution: 1500 Pixels

Minimum contrast: $\geq 30\%$

Decoding ratio: $\geq 4\text{mil}$ (PCS= 0.9, Code39 as example)

Barcodes system: Code128, EAN-13, EAN-8, Code39, UPC-A, UPC-E, Codabar, Interleaved 2 of 5, ISBN, Code 93, UCC/EAN-128, GS1 Databar

Scanning speed: 280 times/s

Slant scale: $\pm 55^\circ$

Spin scale: $\pm 25^\circ$

Deflection scale: $\pm 75^\circ$

Interface: FPC (upper)

Interval distance: $12 \times 0.5\text{mm}$

Outlook:(L x W x H): $24.5 \times 21.35 \times 6.0\text{mm}$ Weight: :9g (no cable)

Indication mode: Buzzer and LED light

Max power: 400mW

Working voltage: 3.3-5V (DC)

Current(Max): 80mA

Working current: 74mA

Loading current: 24mA

Output signal: USB /RS232/TTL Signal

Storage temperature: $-40^\circ\text{C} \sim 60^\circ\text{C}$

5 – Configuração _ através da leitura do código de programação

Restore Factory Settings



Enter Into Settings



Restore Factory Settings



Quit Settings

Attention: Before any function settings , please read "Enter Into Settings"-read the needed function settings-"Quit Settings ".If there is any unwanted function earlier, please read "Restore Factory Settings" to restore the factory settings.

Flicker Scanning Mode



Flicker Scanning



Flicker Scanning Time

Attention: The flicker scanning time can be set through reading the " Parameter Barcode " 01-09. Flicker time interval unit as 500 ms and can set 01-15 grade. For example, if the flicker time interval is 1000 ms, the procedures are "Enter Into Settings" – " Flicker Scanning Time" – "Parameter Barcode "0" "2" "4" – "Quit Settings" .

Auto Scanning Mode



Auto Scanning



Reading Barcode Time



Not Allowed to Repeat Scanning the Same Barcode



Allowed to Repeat Scanning the Same Barcode



Start Timing after Scanning the Barcode

Attention: 1: Allowed to Repeat Scanning the Same Barcode Setting

When allowed, the scanner will automatically read the following barcodes.If re-press the switch button,the scanner will stop reading barcodes.

When not allowed, the scanner will automatically read the following barcodes. If the same barcode comes again, a continuous waiting mode will show.If there is no same barcode, the scanner keeps reading till you re-press the switch button, the scanner stops reading.

2: Start Timing after Scanning the Barcode Setting

After a successful reading, reading time returns to zero and start timing.

Continuous Scanning Mode



Continuous Scanning



Scanning Interval Time



Scanning the Same Barcode Interval time

USB Conversion Function



USB Virtual Keyboard



USB Virtual Serial Port

XI Barcode type settings



Open The Code ID Before Barcode Close The Code ID Before Barcode Restore Default The Code ID

Attention: The code ID before the barcode means the corresponding barcode type, please check the sheet1-1.

Barcode Type	CODE ID
UPC-A	A
UPC-E	B
EAN-8	C
EAN-13	D
ISSN	E
ISBN	F
Code 128	G
GS1-128	H
ISBT 128	J
Code 39	K
Code 93	L
Code 11	M
Interleaved 2 of 5	N

Barcode Type	CODE ID
ITF-6	O
ITF-14	P
Matrix 2 of 5 (Europe)	S
Matrix 2 of 5 (Japan)	T
Industrial 25	U
Standard 25	V
Codebar	W
Plessey	X
MSI-Plessey	Y
Gs1 Databar	Z



Enter into Settings



Quit Settings

Siren setting



Close Siren



Open temporary mute



Close temporary mute



Siren (high)



Siren (middle)



Siren (low)

Serial port setting (Baud rate setting)



2400



4800



9600



14400



19200



38400



57600



115200

Barcode Enable



Read All Types of Barcode



Forbid to Read All Type of Barcode

Attention: if some barcode can't be read' please try "Read All Type of Barcode" and restore the factory default in case affecting the scanning speed.



Enter into Settings



Quit Settings

UPC/EAN– Attached Code settings



Adding Two Bit Attached Code



Adding Five Bit Attached Code

Code39 to or not to transmit start character and stop character



to Transmit



Not to Transmit

Cancel Enetr and Enter Setting



Cancel Enter



Enter

Add Prefix Settings



Add Prefix



Reveal Prefix



Not Reveal Prefix

For example: If add prefix "XY" before code "1234", steps as follows:

1. Enter into Settings 2. Add Prefix 3. Read parameter code 5,8,5,9 and then read "Save" 4. Quit Settings. After above settings and read "Reveal Prefix" code when read code "1234"again the "XY" will be added change to: XY1234

Add Suffix Settings



Add Suffix



Reveal Suffix



Not Reveal Suffix

For example: If need to add suffix "XY" after code "1234", steps as follows:

1. Enter into Settings 2. Add Suffix 3. Read parameter code 5,8,5,9 and then read "Save" 4. Quit Settings. After above settings and read "Reveal Suffix" code when read code "1234"again ,the XY" will be added change to: 1234XY

Parameter Code



0



1



2



3



4



5



6



7



8



9



A



B



C



D



E



F



Save



Reset Parameter

PS: If it reads the parameter error, please read the "reset parameter" code to reset the needed parameter

Add the Function Key Terminator



Enter into Settings



Quit Settings

Add Terminator



F1



F2



F3



F4



F5



F6



F7



F8



F9



F10



F11



F12



HOME



TAB

ASCII Code Setting (PS: This setting aims to code 39 reading incompleting characters.)



Close



Open

Parameter barcode and corresponding representing characters table.

Parameter code	Representing characters	Parameter code	Representing characters	Parameter code	Representing characters	Parameter code	Representing characters	Parameter code	Representing characters
2 d	-	4 4	D	5 b		7 2	r	2 b	+
2 e	.	4 5	E	5 c	\	7 3	s	2 c	,
2 f	/	4 6	F	5 d		7 4	t		
3 0	0	4 7	G	5 e	^	7 5	u		
3 1	1	4 8	H	5 f	-	7 6	v		
3 2	2	4 9	I	6 0	,	7 7	w		
3 3	3	4 a	J	6 1	a	7 8	x		
3 4	4	4 b	K	6 2	b	7 9	y		
3 5	5	4 c	L	6 3	c	7 a	z		
3 6	6	4 d	M	6 4	d	7 b	{		
3 7	7	4 e	N	6 5	e	7 c			
3 8	8	4 f	O	6 6	f	7 d	}		
3 9	9	5 0	P	6 7	g	7 e	~		
3 a	:	5 1	Q	6 8	h	2 1	!		
3 b	;	5 2	R	6 9	i	2 2	"		
3 c	<	5 3	S	6 a	j	2 3	#		
3 d	=	5 4	T	6 b	k	2 4	\$		
3 e	>	5 5	U	6 c	l	2 5	%		
3 f	?	5 6	V	6 d	m	2 6	&		
4 0	@	5 7	W	6 e	n	2 7	'		
4 1	A	5 8	X	6 f	o	2 8	(
4 2	B	5 9	Y	7 0	p	2 9)		
4 3	C	5 a	Z	7 1	q	2 a	*		